



Company & Product Overview
An Introduction to Trimteck

May 2011

Trimteck is a family-owned American company with over thirty years of experience in engineering, manufacturing, and marketing flow control solutions and equipment for a variety of industries. Our application engineers and certified representatives are **committed to personalized customer service** and have an extensive line of products and technologies to draw upon when designing and specifying a solution.

With a comprehensive line of **Optimux control valves** – and an array of actuators, positioners, severe service trims, and other accessories – our engineers and representatives **can solve the most complex flow control problems quickly and economically**. Moreover, our organizational focus on implementing highly efficient sourcing, engineering, manufacturing, assembly, and distribution processes enables us to **guarantee world-class quality, competitive pricing, and rapid delivery** to anywhere in the world.

Welcome to **Trimteck**.

Agenda



I. Trimteck's Background

II. Why choose Trimteck?

III. Control Valve Overview

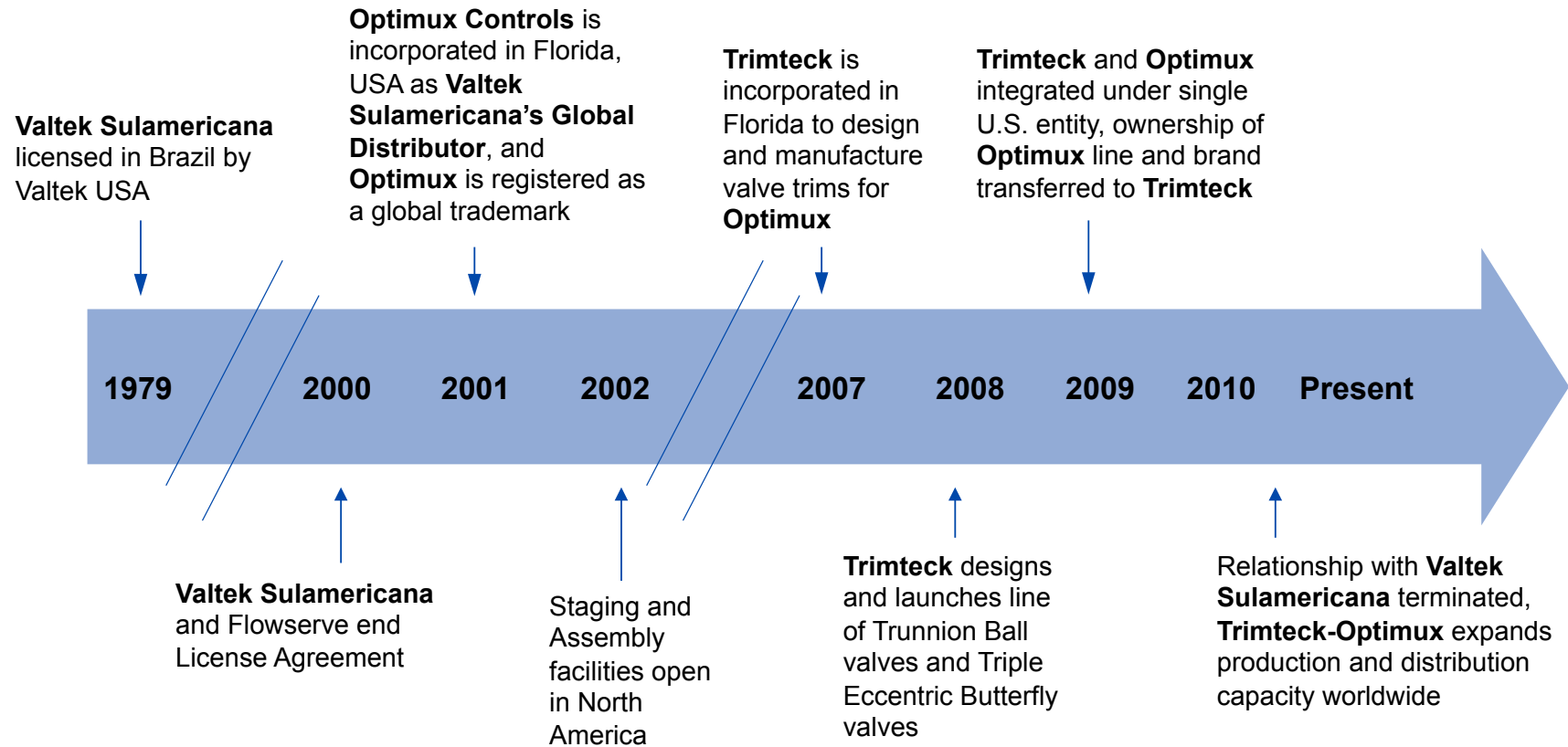
Company Mission



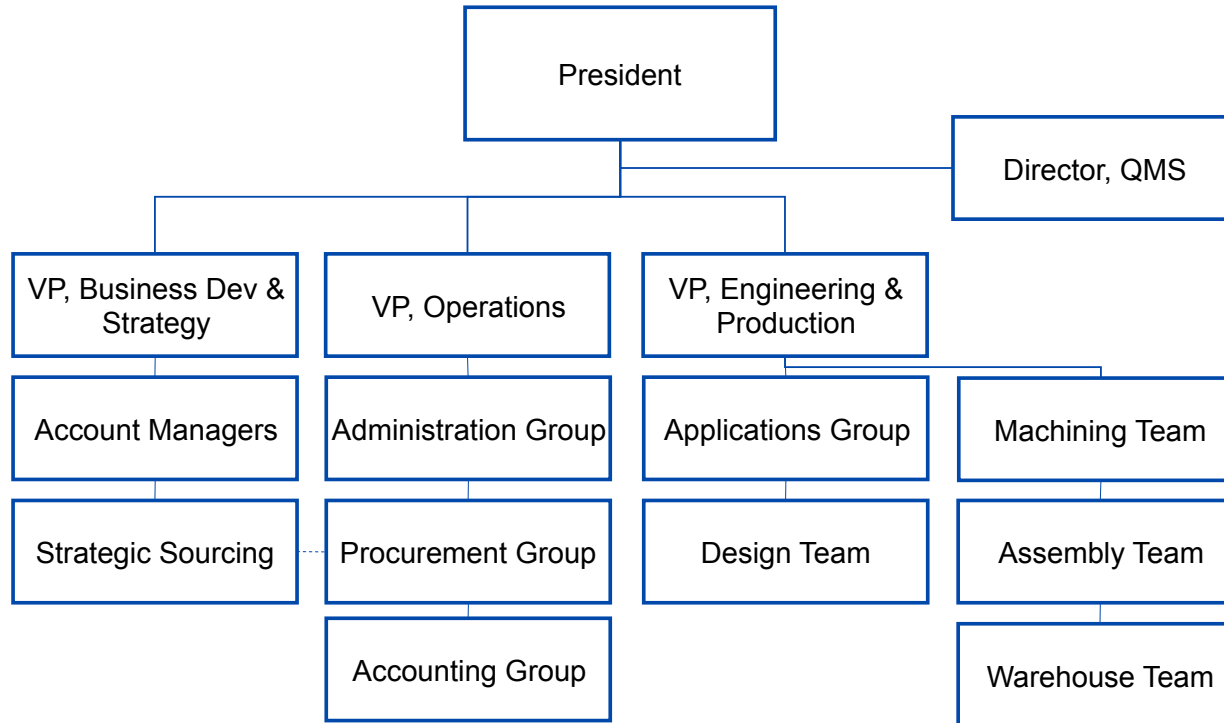
TrimTeck aims to provide customers around the world with high-quality, cost-effective **Flow Control Solutions** for industrial processes.

We excel because of the **superior performance** of our products and applications, as well as our dedication to a culture **committed to customer satisfaction**, and responsive services.

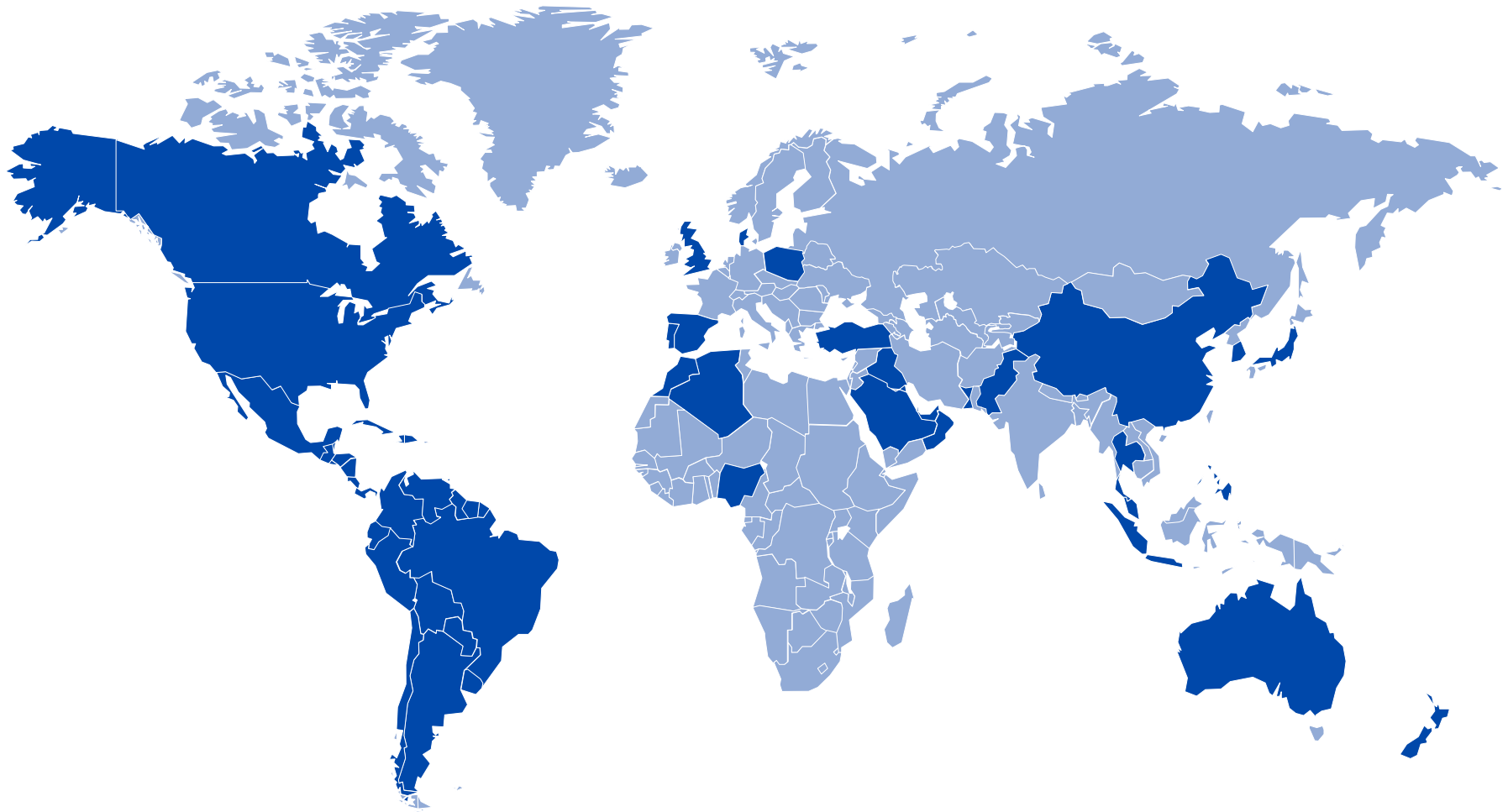
Past and Future



Organizational Chart – North America



Global Presence – 42 Countries



Agenda



I. Trimteck's Background

II. Why choose Trimteck?

III. Control Valve Overview

Decision Points

What are the drivers impacting buying decisions for end-users?

1. Competitive Pricing

- Cost-plus contract structure

2. Quality and Reliability

- Robust application engineering
- Equipment and components that leave nothing to chance

3. Availability

- We need it yesterday

Here is how Trimteck can help ...

1. Fiercely Competitive Pricing

Trimteck offers guaranteed up-front and lifetime cost savings on control valves for a variety of industries

- Efficiencies in:
 - Supply chain management
 - Lean manufacturing & assembly
- Low up-front costs
- Reduced lifetime costs

2. Utmost Quality & Reliability

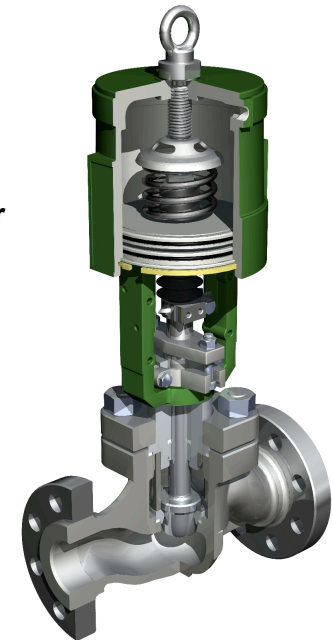
We are obsessed with quality, and have been in the business of designing, engineering, and manufacturing control valves for more than 30 years

Established Organization

- 30 years of experience in design, engineering, and manufacturing
- Manufacturing in:
 - USA (Coral Springs, FL)
 - China (Dongying & Ningbo)
 - India (Mumbai)
- Over 4000 valves per year
- ISO 9001 Certified

Reliable Product

- Brand-new valves; we do not refurbish
- Investment-cast bodies
- Precision trims
- Compact design
 - Piston-cylinder actuator
 - Lightweight
 - In-line servicing



3. Availability and Exceptional Delivery

Extensive inventory and JIT manufacturing in South Florida ensures short lead times and on-time deliveries; even for custom-engineered severe service valves

- \$5 Million of local stock

- Subassemblies
- Bodies
- Soft goods



- On-demand machining of special trims



Agenda



I. Trimteck's Background

II. Why choose Trimteck?

III. Control Valve Overview

Optimux OpGL Globe Control Valve



Reliable. Rugged. Compact. Economical. Green.



Technical Specifications

Diameter	1/2"-42": ANSI Class 150-600 1"-24": ANSI Class 900-4500
Body Style	Globe, Angle, Three-way, Steam-jacketed, Y-body
Connections	Integral flanges, Socketweld, Buttweld
Materials	Carbon steel, Stainless steel, Chrome-molly, Alloy 20, Hastelloy B&C, Titanium, and others...
Bonnet Types	Normal, Extended, Cryogenic, Cool box extended,
Internals	Flow characteristics, equal percentage, linear, and quick-open. Seats available in metal or soft (for "bubble tight" shutoff)

- **Exceptionally tight shutoff Class V Metal-to-Metal**
- **High-thrust piston-cylinder actuator**
- **Available fugitive emissions packings and bellow seals**
- **Top-entry design facilitates maintenance**
- **Top-guided robust design offsets any oscillations**
- **Broad selection of trims available for each size**

Optimux OpDX Double Eccentric Rotary Valve



Pressure-assisted seating achieves bi-directional bubble-tight shutoff and low breakout torque



Technical Specifications

Type	Wafer
Diameters	2"-36"
Nominal pressures	ANSI Class 150, 300, 900, 1500, 2500
Materials	Carbon and SS, Chrome-molly, alloy 20, Monel, Hastelloy B&C, titanium, and other casting materials
Closings	Soft closing: Teflon TFE, Teflon, PEEK, Kel-F Metal closing: SS 316, Inconel
Flow characteristics	Inherent characteristic: modified parabolic. By adding other cams, linear and equal percentage can also be obtained

- **High Performance rotary valve**
- **Eccentric cam disc for accurate throttling**
- **Same flangeless body (wafer) serves ANSI classes 150, 300, & 600 in 2", 3", 4", 6", and 8" sizes**
- **Flow capacity greater than globe, plug, and V-Notch control valves**
- **Available with Rack & Pinion or Piston & Cylinder actuators**

Optimux OpVEE V-Notch Ball Valve



Designed to overcome problems with particle entrained processes



Technical Specifications

Type	Ball valve
Diameters	1"-16"
Nominal pressure	ANSI Class 150, 300, 600 for the diameters: 1", 1.5", 2", 3", 4", 6", 8", 10", and 12"
Ball valve materials	Stainless steel with hard chrome plating, stellite, Hastelloy C, Hastelloy B/B-2, Monel, Alloy 20, and titanium
Seat materials	Soft seat: PEEK, Glass-filled Teflon PTFE Metal seat: SS 316, stellite, Monel, Inconel
Actuators	Flowtork rotary actuator with fail safe spring and rocking piston

- **Wide range of applications including: Chemical, Pulp & Paper, Energy, and Oil**
- **300 to 1 Rangeability**
- **No Shim seal needed**
- **Class IV & VI available**
- **ISO Standard shaft compatible with multiple types of actuators**

Optimum OpEXL Eccentric Plug Valve



The ability to handle large CVs makes the OpEXL the Valve of choice for many process control engineers



Technical Specifications

Type	Eccentric Plug Valve
Diameters	1" - 8"
Nominal pressure	Flanges: ANSI Class 150,300 & 600 & Flangeless: ANSI Class 150 & 300
Plug Materials	A 564 Gr 630 (17-4PH), 316 w/Stellite #6
Seat materials	Metal: AISI 316 with Stellite # 6
Actuators	Flowtork rotary actuator with fail safe spring and rocking piston or OpTK Fail-safe Rotary Actuator

- **Characterized by its innovative Eccentric Plug**
- **Optimal performance in a wide array of process control applications**
- **“Not-through” shaft allows uninterrupted flow of fluid**
- **Maintenance cycle surpasses five years of use for most applications**

Optimux OpTE Triple Eccentric Butterfly Valve



High torque and triple offset design ensures zero leakage



General Characteristics

- Sealing ring uniformly wedges onto seat due to elasticity of composite materials
- Elasticity of sealing ring creates spring-like effect ensuring zero leakage
- Lack of body cavity impedes build-up of solids, unlike in Gate Valves
- High torque seal ensures persistent two-way zero leakage
- The OpTE right-angle rotation design assures zero friction between the seat and the disc
- Long life even under high repetition process cycles
- Easy maintenance
- ISO5752, ASME B16.10 and API609 face-to-face dimensions, allows for easy replacement of other high-performance butterfly and other type valves
- Fireproof
- Anti-blowout stem feature conforming to API609
- One-piece shaft connected to disc by key or pin-key combination, allows for differential temperature expansion

Optimux OpTB Trunnion Ball Valve



Legendary robustness and reliability with added flexibility



General Characteristics

- Rugged three-piece and two-piece construction
- API 6D Standard
- Fire Safe tested to API 607 and 6FA
- Sphere tolerance of the balls: 0.0008" surpassed
- Lower operating torques
- Positive position indication
- Meet NACE MR01.75 for Sulfide cracking resistance
- Suitable for block and bleed applications
- Forged and cast models
- Class 150, 300, 600, 900, 1500

Summary of Trimteck's Value Proposition

Trimteck can provide high-quality, cost-effective control valves and parts; delivered on-time, every time

■ **Product**

- Comprehensive Control Valve Portfolio
- Replacement parts
- Valve servicing

■ **Engineering Support**

- Application engineers who you can rely on to solve your flow control problems
- 3-D Solidworks renderings of our products to facilitate your design phase

■ **Price**

- Guaranteed savings vis-à-vis your current control valve suppliers

■ **Delivery**

- Significantly shorter lead times for all our products – 72-hour rush deliveries are commonplace
- Replacement parts in stock for the benefit of your end-user



**Thank you for your attention, for more information please
visit us at trimteck.com**